

# commercial 1950

The **1950 Commercial Series** from Janus International is a sheet door value engineered with strength and durability in mind. The versatility and easy operation makes this door dependable, yet still economical. Backed by a one year warranty on workmanship and material, this 1950 Series is the best value on the market. The 1950 door is also available in heavy duty (HD) for medium duty application.



**Maximum**  
12' x 14'

Available in sizes up to 12' x 14' and in more than 30 colors, customized for your application.



**Light-Duty**  
Application

Ideal for light-duty locations, such as boat and RV storage and commercial/ industrial buildings.



**Medium-Duty**  
Application

Ideal for medium-duty locations, such as warehouses, commercial buildings, and freight terminals.



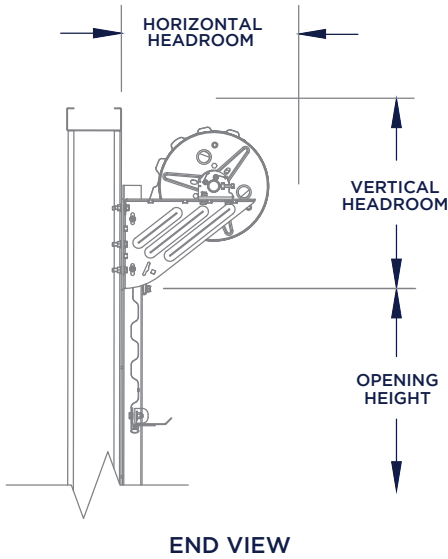
**Quality**  
Guaranteed

One-year door warranty. For paint, 35-year no-fade, 40-year film integrity.



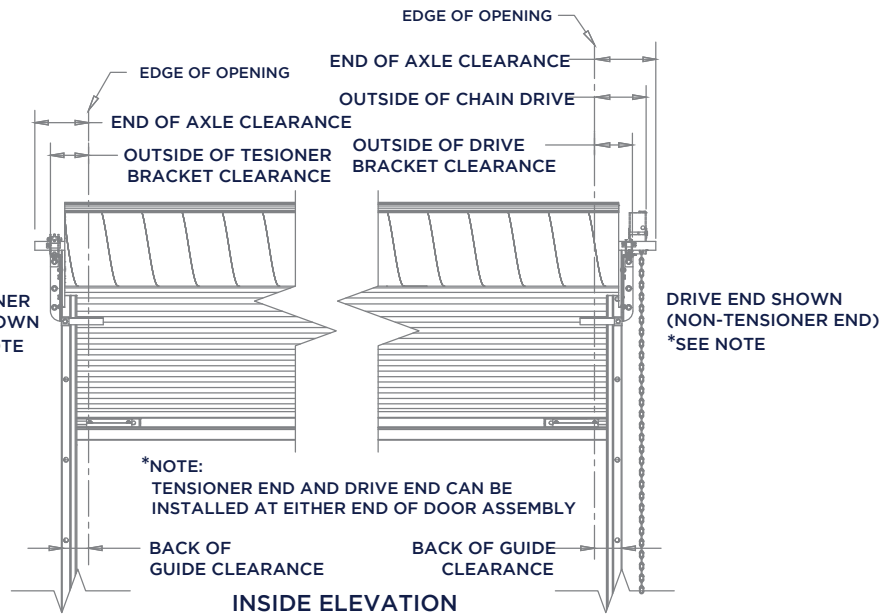
## Features

- » **Pre-Lubricated Springs**  
During production, springs are factory lubricated and enclosed in a tube to protect them from the environmental elements.
- » **Dead Axle & Barrel Assembly**  
An enclosed spiral barrel houses the dead axle assembly and offers durability and smoother operation as weight is distributed throughout the barrel.
- » **26-Gauge Corrugated Door Curtain**  
Manufactured from galvanized grade 80 steel and coated with super durable polyester paint in more than 30 color options.
- » **Insulated Version Available**  
Side and top draft stops included.



**IMPORTANT NOTES:**

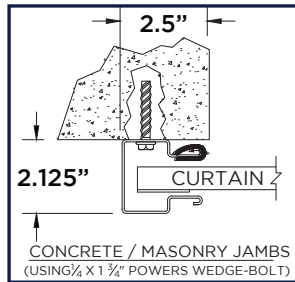
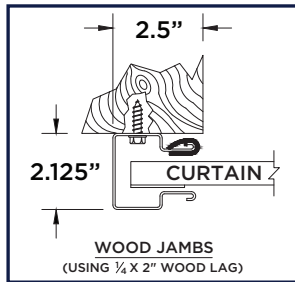
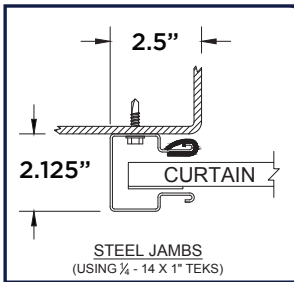
- Dimensions are referenced from edge of opening.
- Tensioner end and drive end can be installed at either end of door assembly.
- FOR CRITICAL FITS DUE TO REDUCED AVAILABLE HEADROOM or SIDEROOM CLEARANCES, CONSULT FACTORY.



Universal mount 2.25" deep 16-gauge galvanized steel guides require no pre-installation modifications for wood, steel, concrete or filled masonry block applications.

**SPECIFICATIONS**

**Guide Details**



**HIGHLIGHTS:**

- B** Barrel: 9.5"
  - G** Guide: 2.25", 16-gauge
  - Ⓢ** 4:1 reduced-drive chain hoist offers smoother operation on doors over 10' tall.
- Visit [JanusIntl.com](http://JanusIntl.com) for technical drawings, color options and more.

**Head Room Requirements**

Opening Height	Vertical Headroom	Horizontal Headroom
Thru 8'0"	19"	19"
Over 8'0" thru 10'0"	20"	20"
Over 10'0" thru 14'0"	20.5"	20"

**Side Room Requirements**

Operation	Guide	Outside of Bracket Tensioner End	Outside of Hand Chain Drive	Outside of Bracket Drive End	Each End of Axle
Push Up	2.5"	4.5"	N/A	4.5"	7"
Reduced Drive Chain	2.5"	4.5"	7"	4.5"	7"
Electric	2.5"	4.5"	N/A	4.5"	7"

2024-02

**HEADQUARTERS**

Janus International Group  
135 Janus International Blvd.  
Temple, GA 30179

**PLEASE VISIT OUR WEBSITE FOR ADDITIONAL INFORMATION:**

- ADA Compliance
- Color Options
- Installation
- Technical Drawings
- Warranty
- Additional Locations

866-562-2580  
**JanusIntl.com**  
marketing@janusintl.com

# commercial 3100

The **3100 Commercial Series** is our certified windload rated, rolling sheet door that meets specified wind loads required by building codes. Independent laboratory testing proves the strength and durability of the 3100 series. The quick installation and smooth operation, compared to other doors, further demonstrates how user friendly this door is.



**Maximum**  
20' x 18'

Available in sizes up to 20' x 18' and in more than 30 colors, customized for your application.



**Medium-Duty**  
Application

Ideal for medium-duty locations, such as warehouses, commercial buildings, and freight terminals.



**Wind Load**  
Rated

Superior construction and innovative design make this door able to withstand heavy winds and extreme weather.



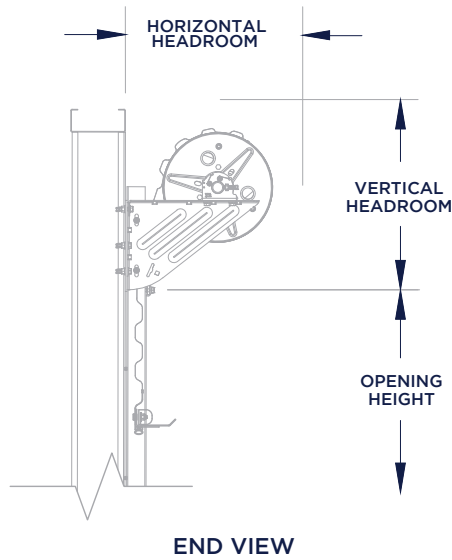
**Quality**  
Guaranteed

One-year door warranty. For paint, 35-year no-fade, 40-year film integrity.



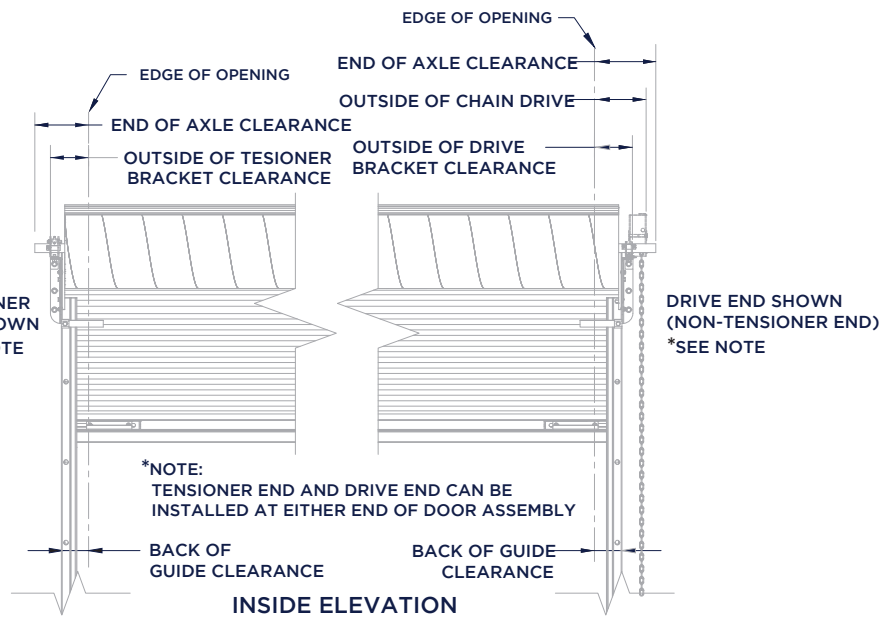
## Features

- » **Pre-Lubricated Springs**  
During production, springs are factory lubricated and enclosed in a tube to protect them from the environmental elements.
- » **Dead Axle & Barrel Assembly**  
An enclosed spiral barrel houses the dead axle assembly and offers durability and smoother operation as weight is distributed throughout the barrel.
- » **26-Gauge Corrugated Door Curtain**  
Manufactured from galvanized grade 80 steel and coated with super durable polyester paint in more than 30 color options.
- » **Insulated Version Available**  
Side and top draft stops included.



### IMPORTANT NOTES:

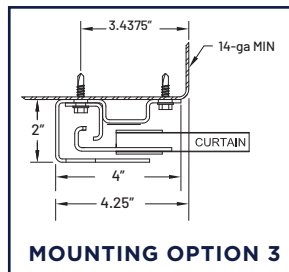
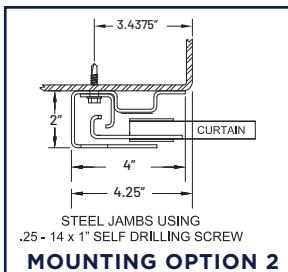
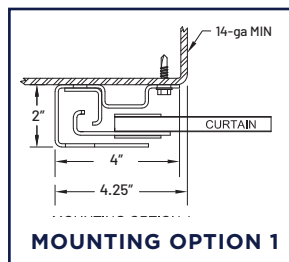
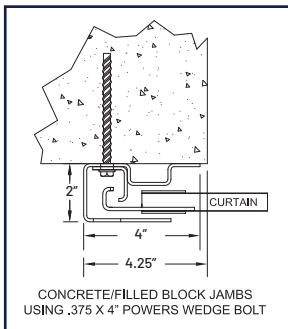
- Dimensions are referenced from edge of opening.
- Tensioner end and drive end can be installed at either end of door assembly.
- FOR CRITICAL FITS DUE TO REDUCED AVAILABLE HEADROOM or SIDEROOM CLEARANCES, CONSULT FACTORY.



Universal mount 4" deep 12-gauge galvanized steel wind bar guides require no pre-installation modifications for steel, concrete or filled masonry block applications.

## SPECIFICATIONS

### Guide Details: Steel, Wood, Masonry, & Concrete Jambs



### Head Room Requirements

Opening Height	Vertical Headroom	Horizontal Headroom
Thru 8'0"	20"	20"
Thru 10'0"	21"	21"
Thru 14'0"	23"	23"
Thru 16'0"	24"	24"
Thru 18'0"	25"	25"
Thru 20'0"	26"	26"

### HIGHLIGHTS:

- B** Barrel: 12"
  - G** Guide: 4", 12-gauge
- 8:1 reduced-drive chain hoist offers smoother operation on doors over 10' tall.
- Visit [JanusIntl.com](http://JanusIntl.com) for technical drawings, color options and more.

### Side Room Requirements

Operation	Guide	Outside of Bracket Tensioner End	Outside of Hand Chain Drive	Outside of Bracket Drive End	Each End of Axle
Push Up	4.25"	6.25"	N/A	6.25"	10.5"
Reduced Drive Chain	4.25"	6.25"	8.75"	10"	10.5"
Electric	4.25"	6.25"	N/A	10"	10.5"

2024-02

### HEADQUARTERS

Janus International Group  
135 Janus International Blvd.  
Temple, GA 30179

### PLEASE VISIT OUR WEBSITE FOR ADDITIONAL INFORMATION:

- ADA Compliance
- Color Options
- Installation
- Technical Drawings
- Warranty
- Additional Locations

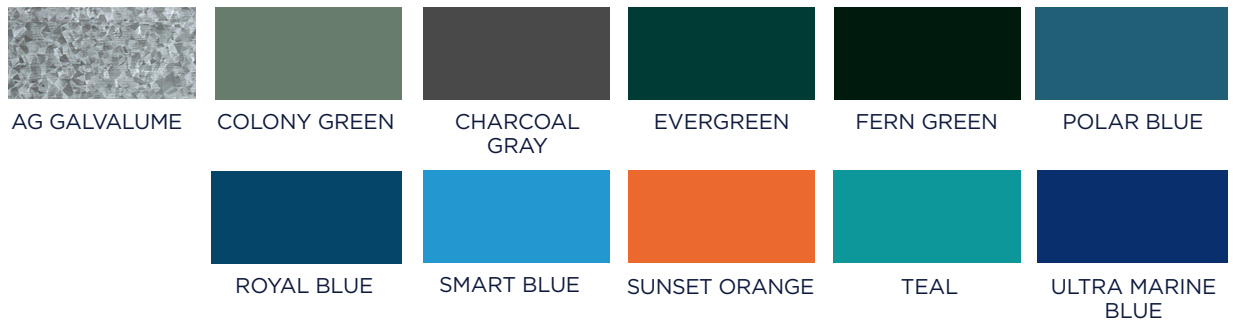
866-562-2580  
**JanusIntl.com**  
marketing@janusintl.com

## STANDARD COLORS



## SPECIALTY COLORS (TIER 1)

**PRICING TIERS**  
An upcharge will be applied to all specialty door colors on all door models.



## SPECIALTY COLORS (TIER 2)



## SPECIALTY COLORS (TIER 3)



## SPECIALTY COLORS (TIER 4)



**PLEASE NOTE:** All color images are provided to assist in branding and marketing processes, and are not a guarantee of exact color match. For actual paint matching codes for the Home Depot, please reference the specific color chart on the Janus website.

**For paint warranty, please visit: [JanusIntl.com/paintwarranty](http://JanusIntl.com/paintwarranty). For more information, please call: 866-562-2580**