

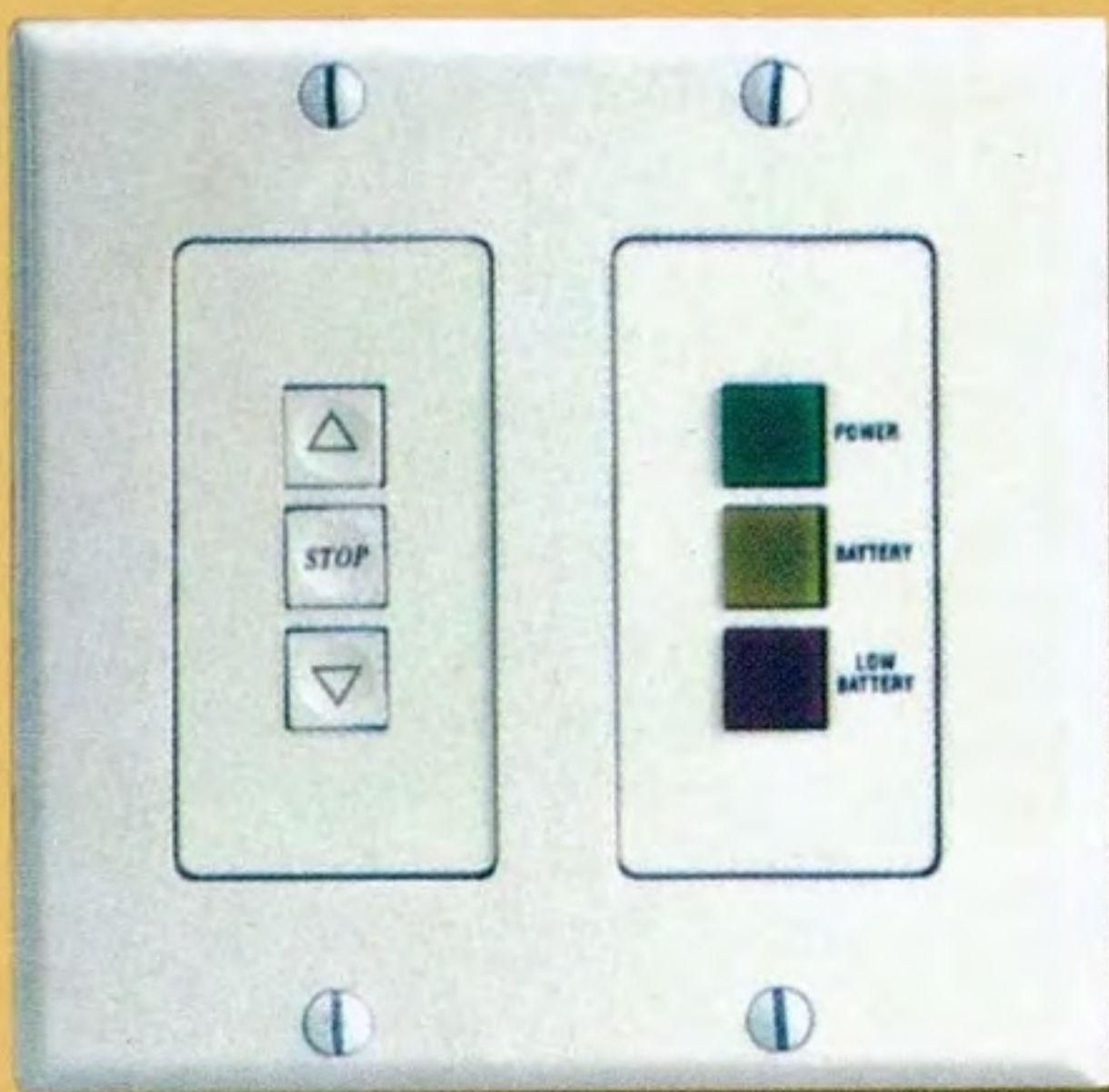
# ROLL SHUTTERS



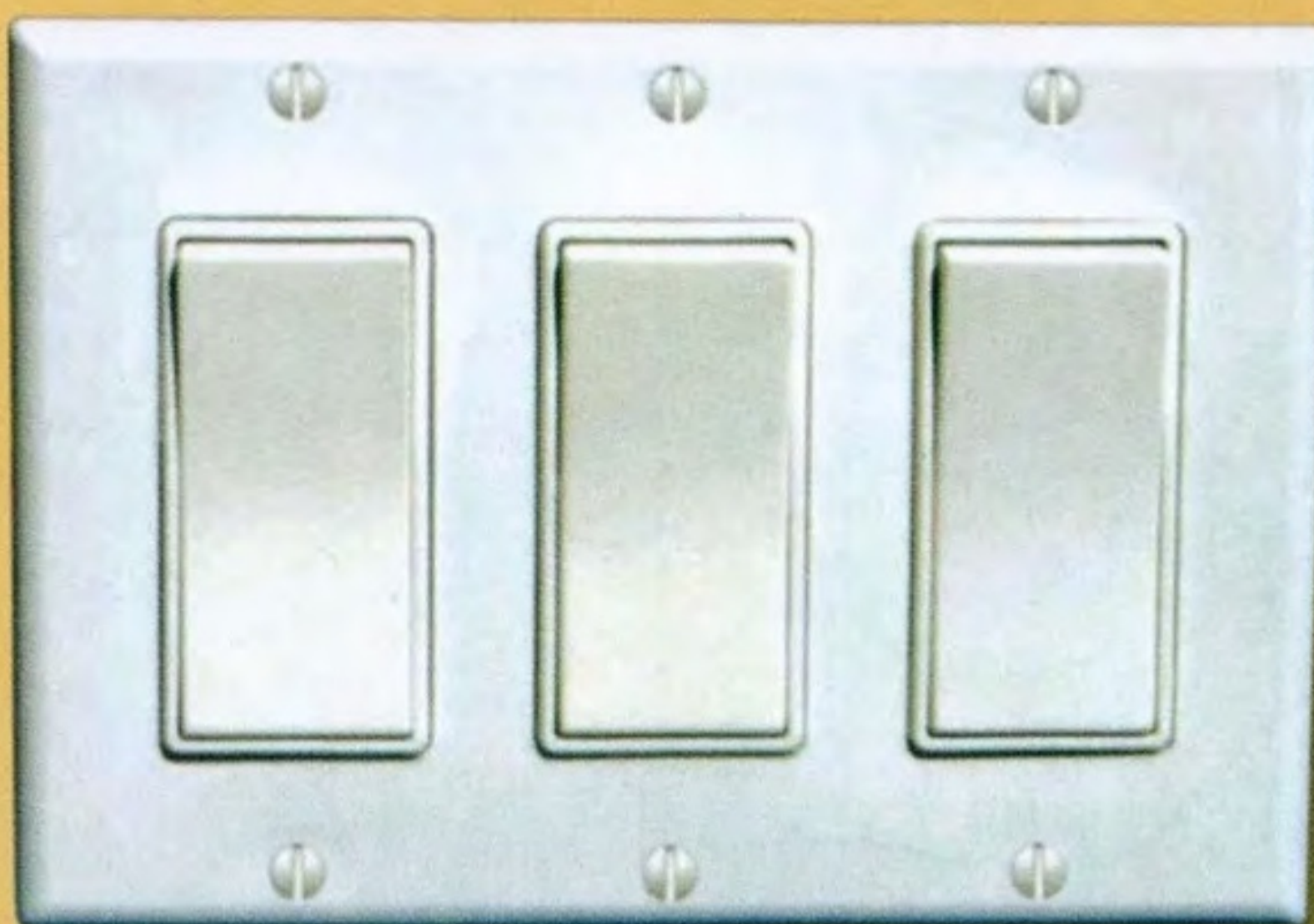
**Convenient Privacy & Protection,  
*at the push of a button!***

**REDUCED ENERGY COSTS • SUN PROTECTION • 100% PRIVACY  
STORM PROTECTION • SECURITY**

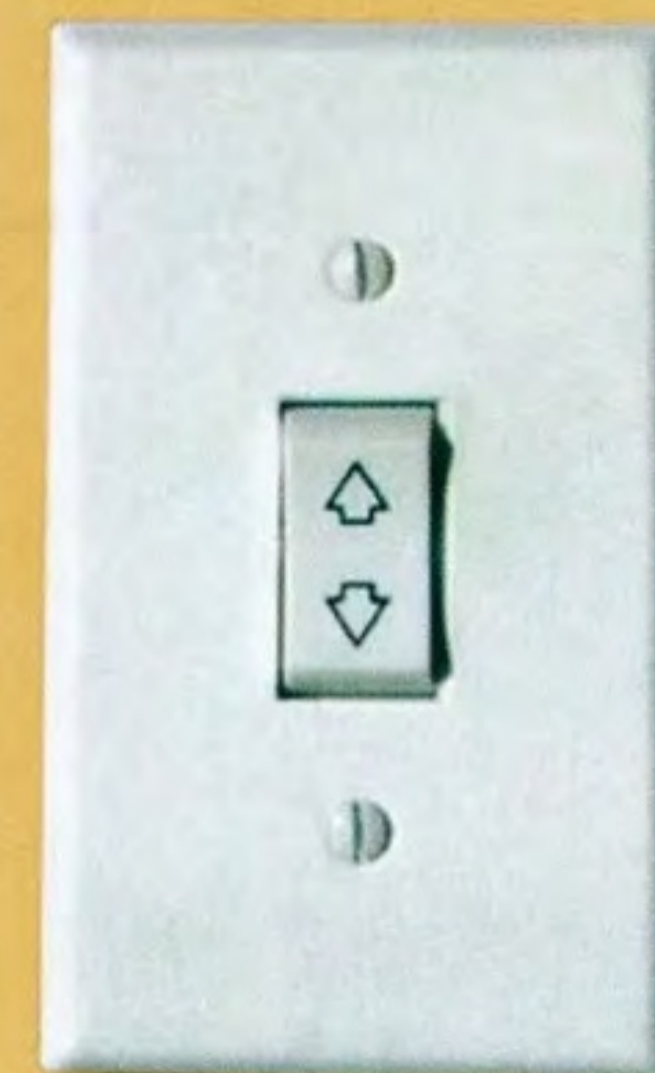
# COMPLETE LINE OF AUTOMATION



Battery Back-up System



Decora Switches



Rocker Switch



Programmable Timer



Hand Held Remote Transmitter

Up to 46.8% of the energy loss in homes occurs through doors and windows. The sun's heat can produce temperatures in excess of 168° through your windows, drapes, or shades. Rolling Shutters keep 99% of the sun's heat from ever reaching

your windows and saves you up to 30% of the cost of cooling your home.

Rolling Shutters gives you a "dead air space" (the space between the shutter and the glass). This is the single most important factor in insulation effectiveness.

### Thermal Properties

#### U" Value\*

A. Single paned glass with rolling shutters  
Improvement with shutter  
B. Double Insulating glass with rolling shutters  
Improvement with shutter

	Winter	Summer
A. Single paned glass with rolling shutters	1.130	1.060
Improvement with shutter	.405	.395
B. Double Insulating glass with rolling shutters	.580	.560
Improvement with shutter	.301	.297
	48%	47%

#### "R" Value\*

A. Single paned glass with rolling shutters  
Improvement with shutter  
B. Double Insulating glass with rolling shutters  
Improvement with shutter

A. Single paned glass with rolling shutters	.880	.940
Improvement with shutter	2.475	2.530
B. Double Insulating glass with rolling shutters	1.72	1.78
Improvement with shutter	3.301	2.600
	48%	32%

\* "U" Value is the BTU heat loss value through any given material. The Lower the "U" values, the greater the insulating quality of the material and the more money you save.

\* "R" Value is the resistance value of heat transfer of any given material. The higher the "R" value number, the greater the insulating quality of the material and the more money you save.

[www.RollShutterSystemsUSA.com](http://www.RollShutterSystemsUSA.com)

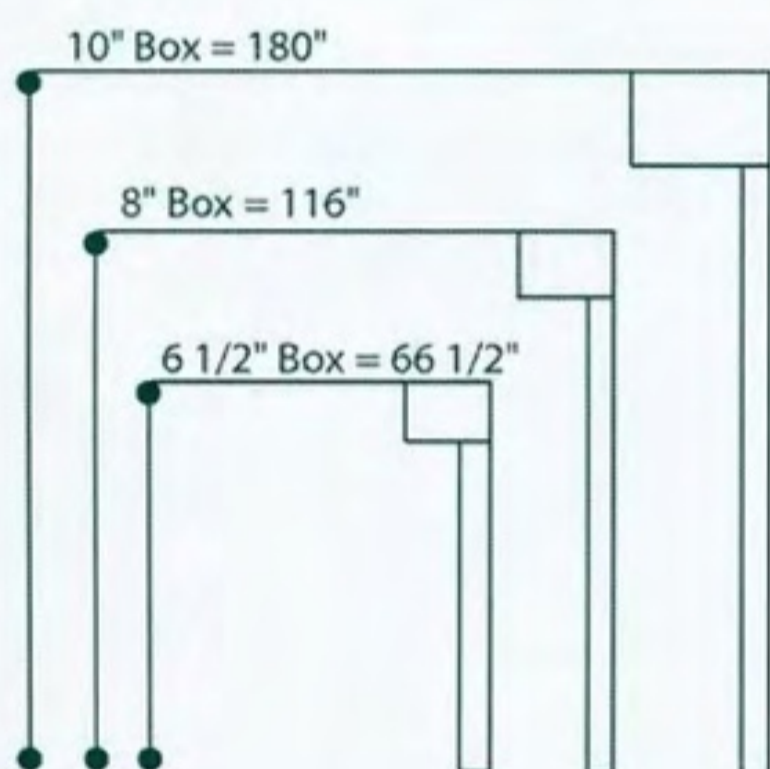
Only Authorized Roll Shutter Systems Dealers are Provided with:

- Strongest wall thickness with all profiles
- Baked, powder coated paint applications
- Advanced parts & components
- Unmatched dealer support
- Large inventory to work from
- Extensive product knowledge

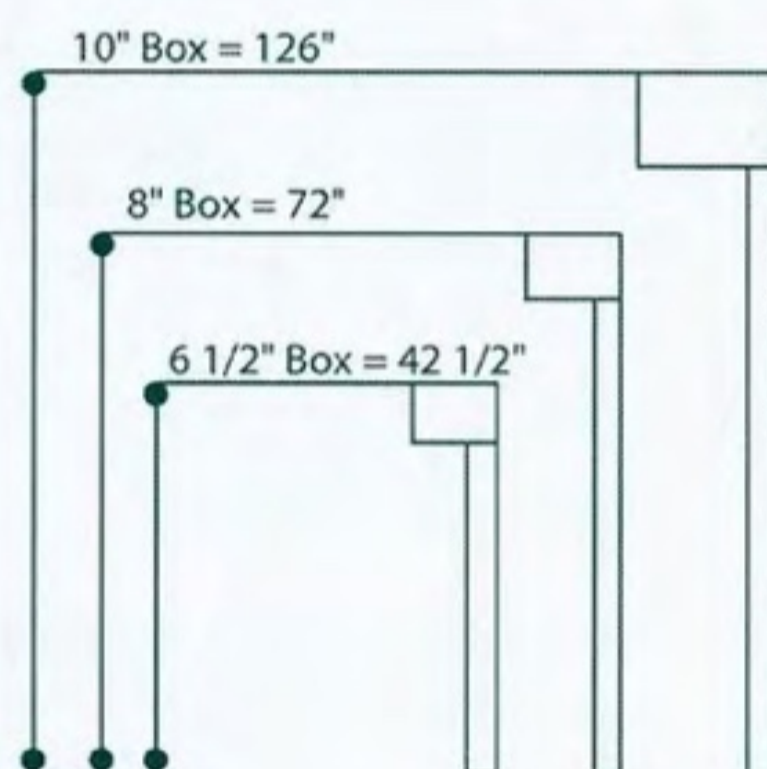
From the simplest shutter installation to the most advanced smart home technology, only Roll Shutter Systems dealers have the highest quality materials, most knowledgeable support group - along with large amount of inventory available to them which will allow your requirements to be met.

### MAXIMUM BUILT SHUTTER HEIGHT PER HOUSING SIZE

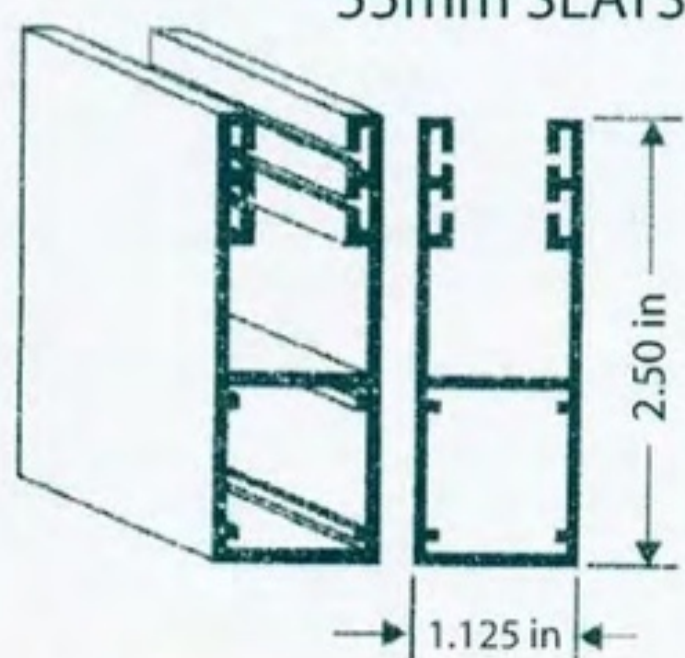
40MM Profile



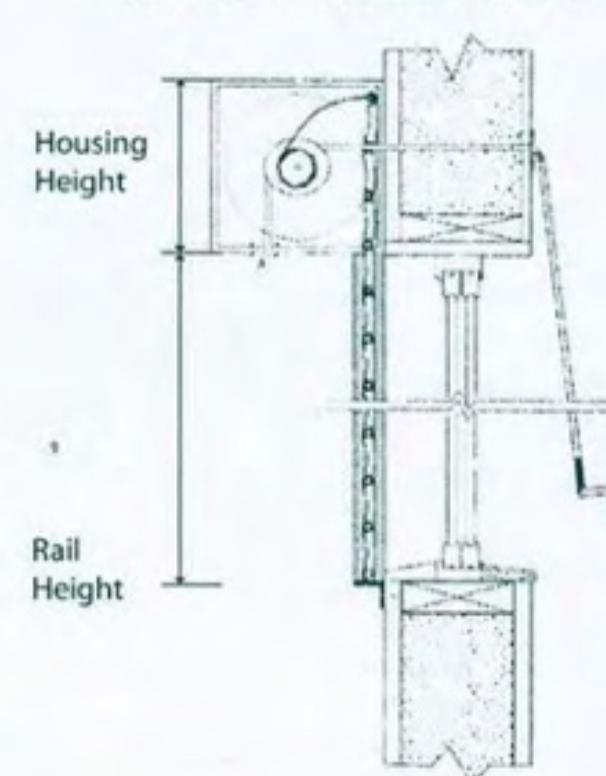
55MM Profile



### GUIDE RAIL FOR ALL 55mm SLATS



### RETROFIT MODULAR SYSTEM



### GUIDE RAIL FOR ALL 40mm SLATS

